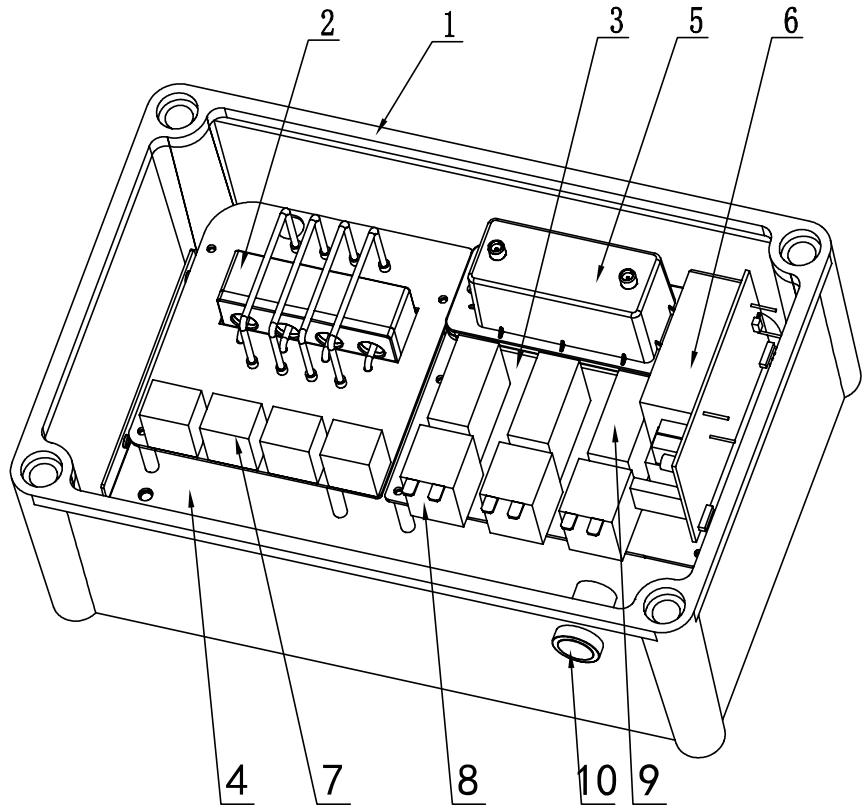
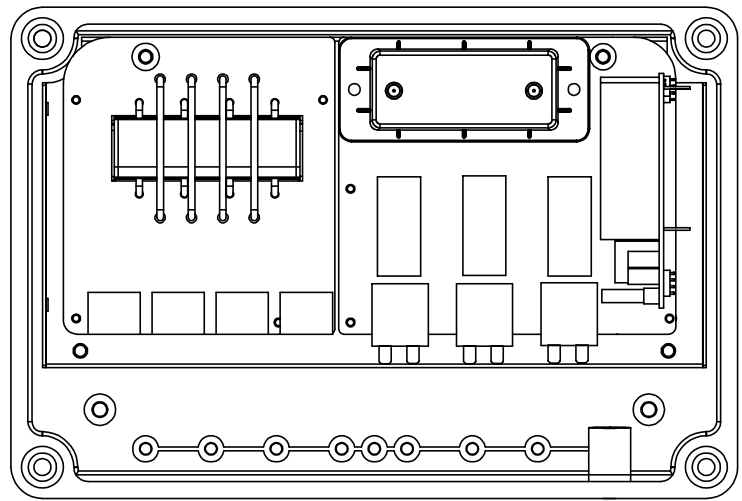


A B C D E F G H



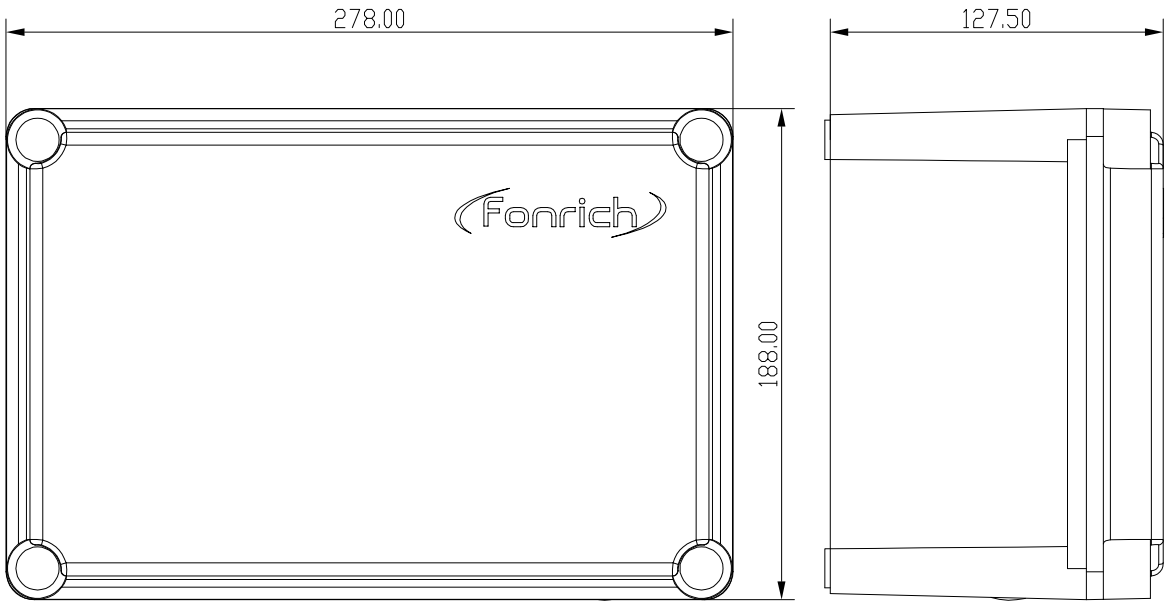
Items	Part Name	Description	Quantity
1	Box	PC	1
2	Arc Sensor	FR-DCMG-AS4A	1
3	Main control board		1
4	Base Plate		1
5	Comm and Control Module		1
6	AC/DC Power Module		1
7	PV cable connector		4
8	AC cable connector		3
9	AC Relay Contactor		3
10	Arc Fault Reset		1

DATE	08 Jul 20	FINISH		MATERIAL		REV.	
LENGTH UNIT	mm	Scale	0.500	NAME	FR-DCBS-AFC4C-tgr-V001		
DRAWN		DATE		CHECKED	DATE	DWG. NO.	Sheet 1 of 2
REV	DESCRIPTION	EGR	ECM	INT	DATE	Fon rich (Shanghai) New Energy Technology Co., Ltd	

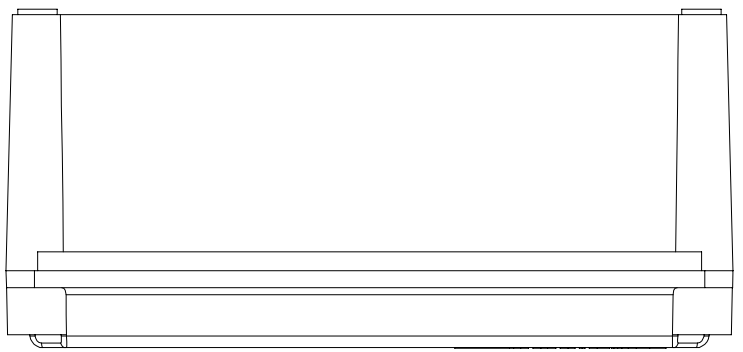
A B C D E F G H

A B C D E F G H

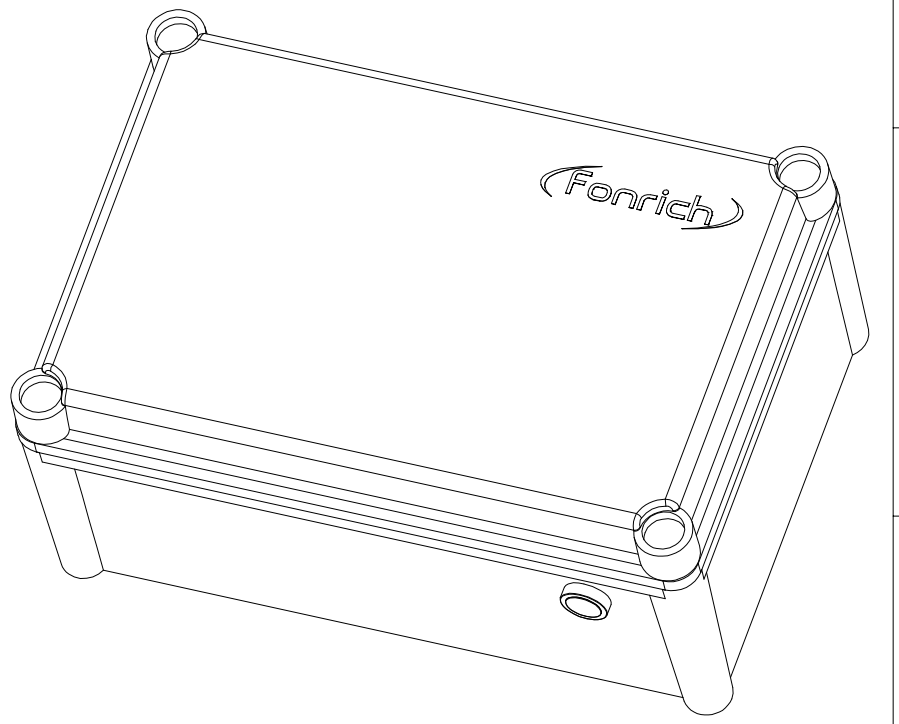
1



2



3



4

1

2

3

4

REV	DESCRIPTION	EGR	ECM	INITIATOR	DATE	Address								DATE	FINISH			MATERIAL	REV.															
						Length	M1	M2	S1	S2	P1	P2	C		B	LENGTH UNIT	Scale			0.500	NAME	FR-DCBS-AFC4G-tgr-V001												
						0-6	0.05	0.01	0.05	0.2	0.05	0.05	0.05																					
						6-30	0.1	0.2	0.05	0.25	0.1	0.05	0.05																					
						30-80	0.05	0.25	0.2	0.3	0.2	0.4	2	0.25																				
						80-180	0.05	0.3	0.25	0.45	0.4	0.8	3	0.25																				
						180-315	0.2	0.5	0.4	0.6	0.6	1.2	4	0.3																				
						315-800	0.3	0.8	0.7	1.1	0.8	1.5	5	0.5																				
															DRAWN							DATE			CHECKED			DATE			DWG. NO.		Sheet 2 of 2	
																						11 Jul 20									Fonrich(Shanghai)New Energy Technology Co., Ltd			

A B C D E F G H